



Table of Contents	
1	TITLE PAGE
2	NOTES
3	FSL TPMS MODULE


Revisions			
Rev	Description	Date	Approved
X1	Initial release	1-Dec-14	P. Bernard
A	Prototype Release - Review of signal names	07-Jan-15	P. Bernard
A1	Matching Network Updated (0603 Inductors)	24-Feb-15	P. Bernard
B	Production Release	08-June-15	P. Bernard

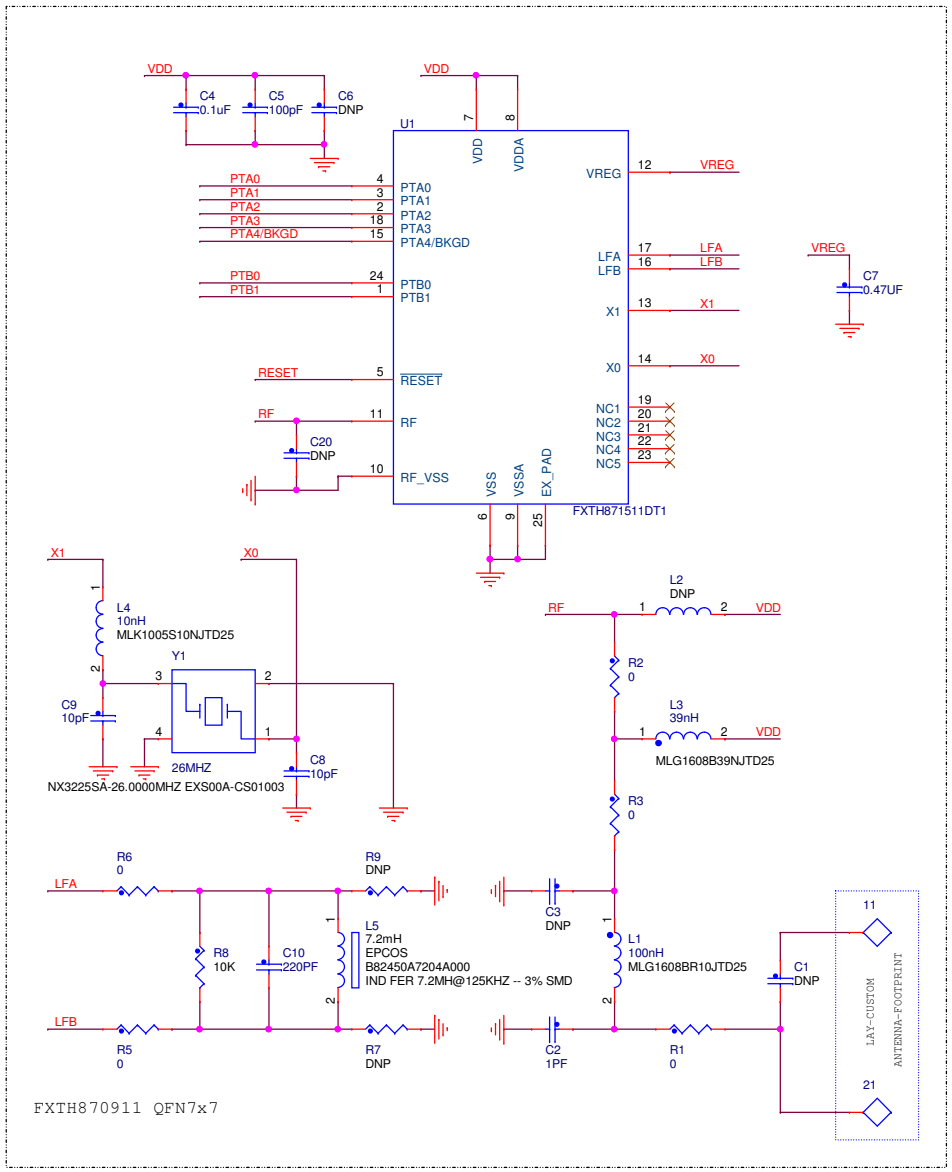
# X-TPMS871511-434

		<b>Analog Sensor Product Group</b> 6501 William Cannon Drive West Austin, TX 78735-6598	
This document contains information proprietary to Freescale and shall not be used for engineering design, procurement or manufacture in whole or in part without the express written permission of Freescale.			
ICAP Classification:		FCP:	FIUC: X PUBL:
Designer: Pascal Bernard	Drawing Title: <b>X-TPMS871511-434</b>		
Drawn by: Pascal Bernard	Page Title: <b>TITLE PAGE</b>		
Approved: Pascal Bernard	Size B	Document Number SCH-28688 PDF: SPF-28688	Rev B
Date: Tuesday, June 09, 2015		Sheet 1 of 3	

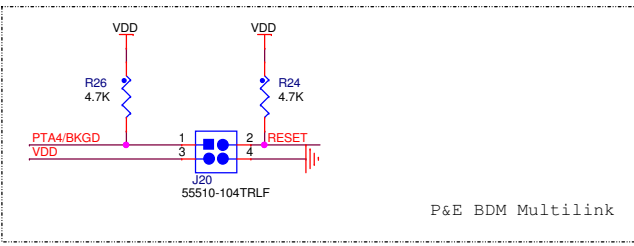
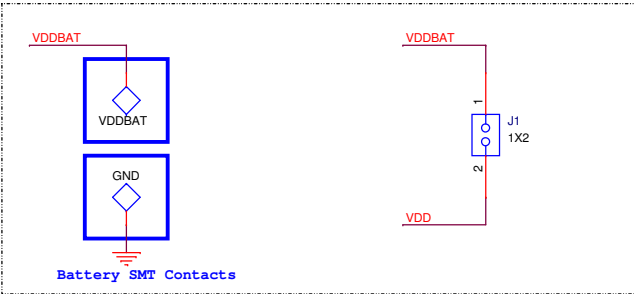
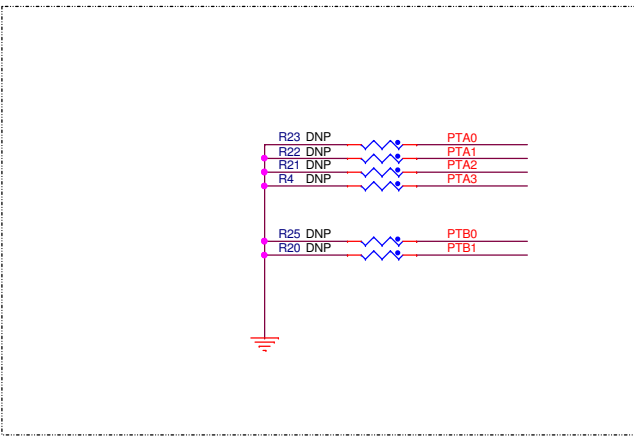


NOTES:

		
ICAP Classification: FCP: ___ FIUO: X PUBI: ___		
Drawing Title: <b>X-TPMS871511-434</b>		
Page Title: <b>NOTES</b>		
Size B	Document Number SCH-28688 PDF: SPF-28688	Rev B
Date: Tuesday, June 09, 2015	Sheet 2	of 3



FXTM870911 QFN7x7



ICAP Classification: FCP: ___ FIUO: X PUBI: ___	
Drawing Title: <b>X-TPMS871511-434</b>	
Page Title: <b>SUBG MODULE</b>	
Size B	Document Number SCH-28688 PDF: SPF-28688
Date: Tuesday, June 09, 2015	Rev B

5 4 3 2 1

D

C

B

A

5 4 3 2 1