

R_10074

Driving LPC11Uxx with EPSON Crystals

Rev. 1.0 — 06 October 2015

Report

Document information

Info	Content
Keywords	LPC11Uxx, RTC, Crystal, Oscillator
Abstract	Characterization results of EPSON crystals with LPC11Uxx MHz and (RTC) 32.768 kHz Oscillator.



Revision history

Rev	Date	Description
1.0	20151006	Initial version

Contact information

For more information, please visit: <http://www.nxp.com>

For sales office addresses, please send an email to: salesaddresses@nxp.com

1. Introduction

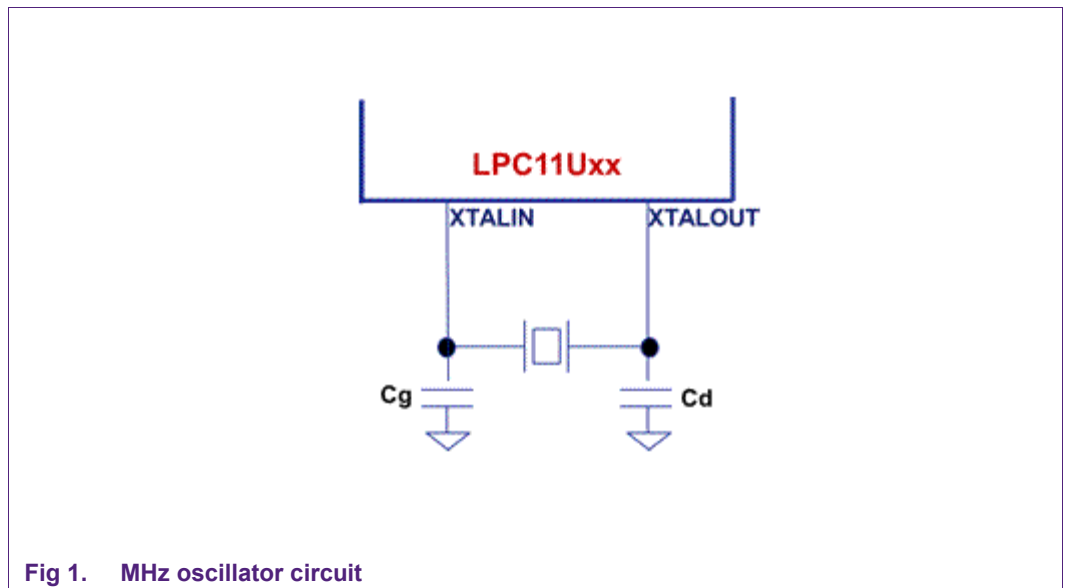
The LPC11Uxx series are Cortex-M0 based MCUs running at speeds up to 50 MHz.

This microcontroller family supports three different clock sources: internal IRC oscillator, watchdog oscillator, and crystal (MHz) oscillator. The LPC11U6x family also has an additional 32.768 kHz (RTC) oscillator. The nominal IRC frequency is 12 MHz. On power-up or any chip reset, the LPC11Uxx starts up with IRC as the clock source. Software may later switch to one of the other available clock sources.

We have evaluated/characterized EPSON make 12 MHz and 32.768 kHz (RTC) crystals with LPC11Uxx and the results/recommendations are given below.

2. Characterization results

2.1 MHz oscillator circuit



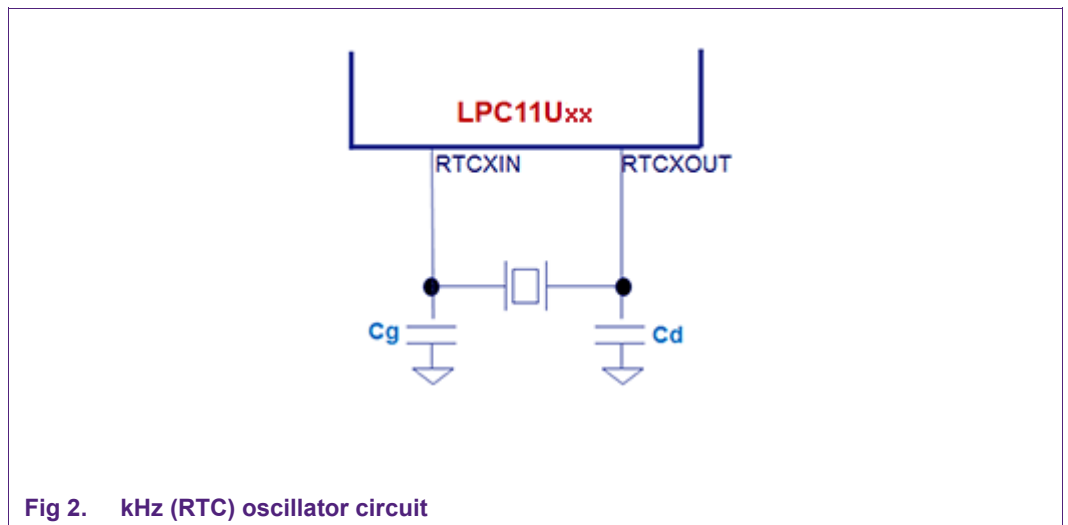
2.2 MHz recommended crystals and external components

Based on the characterization results, following crystals and external components are recommended for LPC11Uxx series microcontrollers. Note that equivalent crystals from other manufacturers can also be used instead.

Table 1. Recommended crystals and external components

Product Name	Product Code	Frequency [MHz]	CL [pF]	External Components		Drive Level [uW]	-R [Ω]
				Cg [pF]	Cd [pF]		
FA-238V	Q22FA23V00019**	12	10	7	7	34	2290
FA-238V	Q22FA23V00007**	12	12	10	10	43	1690
FA-20H	Q24FA20H00152**	12	10	7	7	59	2290

2.3 RTC oscillator circuit



2.4 RTC recommended crystals and external components

Table 2. Recommended crystals and external components

Product Name	Product Code	Frequency [kHz]	CL [pF]	External Components		Drive Level [uW]	-R [Ω]
				Cg [pF]	Cd [pF]		
FC-135	Q13FC13500004**	32.768	12.5	22	18	0.09	390
MC-146	Q13MC14620002**	32.768	12.5	18	18	0.10	390

Notes:

1. Above recommendations are based on the actual evaluation results and solely intended to help users in picking the right components.
2. Note that these results are based on a particular hardware board (design) and a particular LPC MCU sample. Therefore, it does not cater to part to part variation, be it MCU or the external components.
3. As the actual board layout (design) and choice of external components greatly influences the best suitable crystal load capacitance, we do not assume any responsibility and grant warranty for above recommendations.
4. It is always recommended that the end users evaluate their own designs to ensure the best performance desired.

For more information on these crystals and guidelines, please visit the EPSON website.

http://www5.epsondevice.com/en/ic_partners/nxp/lpc1x.html

3. Legal information

3.1 Definitions

Draft — The document is a draft version only. The content is still under internal review and subject to formal approval, which may result in modifications or additions. NXP Semiconductors does not give any representations or warranties as to the accuracy or completeness of information included herein and shall have no liability for the consequences of use of such information.

3.2 Disclaimers

Limited warranty and liability — Information in this document is believed to be accurate and reliable. However, NXP Semiconductors does not give any representations or warranties, expressed or implied, as to the accuracy or completeness of such information and shall have no liability for the consequences of use of such information.

In no event shall NXP Semiconductors be liable for any indirect, incidental, punitive, special or consequential damages (including - without limitation - lost profits, lost savings, business interruption, costs related to the removal or replacement of any products or rework charges) whether or not such damages are based on tort (including negligence), warranty, breach of contract or any other legal theory.

Notwithstanding any damages that customer might incur for any reason whatsoever, NXP Semiconductors' aggregate and cumulative liability towards customer for the products described herein shall be limited in accordance with the Terms and conditions of commercial sale of NXP Semiconductors.

Right to make changes — NXP Semiconductors reserves the right to make changes to information published in this document, including without limitation specifications and product descriptions, at any time and without notice. This document supersedes and replaces all information supplied prior to the publication hereof.

Suitability for use — NXP Semiconductors products are not designed, authorized or warranted to be suitable for use in life support, life-critical or safety-critical systems or equipment, nor in applications where failure or malfunction of an NXP Semiconductors product can reasonably be expected to result in personal injury, death or severe property or environmental damage. NXP Semiconductors accepts no liability for inclusion and/or use of NXP Semiconductors products in such equipment or applications and therefore such inclusion and/or use is at the customer's own risk.

Applications — Applications that are described herein for any of these products are for illustrative purposes only. NXP Semiconductors makes no representation or warranty that such applications will be suitable for the specified use without further testing or modification.

Customers are responsible for the design and operation of their applications and products using NXP Semiconductors products, and NXP Semiconductors accepts no liability for any assistance with applications or customer product design. It is customer's sole responsibility to determine

whether the NXP Semiconductors product is suitable and fit for the customer's applications and products planned, as well as for the planned application and use of customer's third party customer(s). Customers should provide appropriate design and operating safeguards to minimize the risks associated with their applications and products.

NXP Semiconductors does not accept any liability related to any default, damage, costs or problem which is based on any weakness or default in the customer's applications or products, or the application or use by customer's third party customer(s). Customer is responsible for doing all necessary testing for the customer's applications and products using NXP Semiconductors products in order to avoid a default of the applications and the products or of the application or use by customer's third party customer(s). NXP does not accept any liability in this respect.

Export control — This document as well as the item(s) described herein may be subject to export control regulations. Export might require a prior authorization from competent authorities.

Evaluation products — This product is provided on an "as is" and "with all faults" basis for evaluation purposes only. NXP Semiconductors, its affiliates and their suppliers expressly disclaim all warranties, whether express, implied or statutory, including but not limited to the implied warranties of non-infringement, merchantability and fitness for a particular purpose. The entire risk as to the quality, or arising out of the use or performance, of this product remains with customer.

In no event shall NXP Semiconductors, its affiliates or their suppliers be liable to customer for any special, indirect, consequential, punitive or incidental damages (including without limitation damages for loss of business, business interruption, loss of use, loss of data or information, and the like) arising out of the use of or inability to use the product, whether or not based on tort (including negligence), strict liability, breach of contract, breach of warranty or any other theory, even if advised of the possibility of such damages.

Notwithstanding any damages that customer might incur for any reason whatsoever (including without limitation, all damages referenced above and all direct or general damages), the entire liability of NXP Semiconductors, its affiliates and their suppliers and customer's exclusive remedy for all of the foregoing shall be limited to actual damages incurred by customer based on reasonable reliance up to the greater of the amount actually paid by customer for the product or five dollars (US\$5.00). The foregoing limitations, exclusions and disclaimers shall apply to the maximum extent permitted by applicable law, even if any remedy fails of its essential purpose.

3.3 Trademarks

Notice: All referenced brands, product names, service names and trademarks are property of their respective owners.

4. Contents

1.	Introduction	3
2.	Characterization Results	3
2.1	MHz Oscillator Circuit.....	3
2.2	MHz Recommended Crystals and External Components.....	4
2.3	RTC Oscillator Circuit.....	4
2.4	RTC Recommended Crystals and External Components.....	5
3.	Legal information	6
3.1	Definitions	6
3.2	Disclaimers.....	6
3.3	Trademarks	6
4.	Contents.....	7

Please be aware that important notices concerning this document and the product(s) described herein, have been included in the section 'Legal information'.

© NXP B.V. 2015.

All rights reserved.

For more information, please visit: <http://www.nxp.com>
For sales office addresses, please send an email to: salesaddresses@nxp.com

Date of release: 06 October 2015
Document identifier: R_10074