

Freescale Semiconductor

56F8347 Product Brief

Ever wish you had just a handful of extra input/output pins available? Your wish has just come true! If your application requires a few more pins than those available in the 56F8346, the 56F8347 is the device for you. With its 144KB of on-chip Flash memory, the 56F8347 has the same memory footprint as the 56F8346, yet provides an additional 14 digital input/output pins with its 160-pin LQFP package. You will continue to enjoy usage of PWM outputs, Analog-to-Digital Converter inputs, and timer channels, along with the ability to interface with other devices in your system via the external memory interface. When you need the right mix of functionality without adding memory, the 56F8345, 56F8346 and 56F8347 devices offer you the right mix of flexibility and compatibility, making your choice a simple one.

BENEFITS

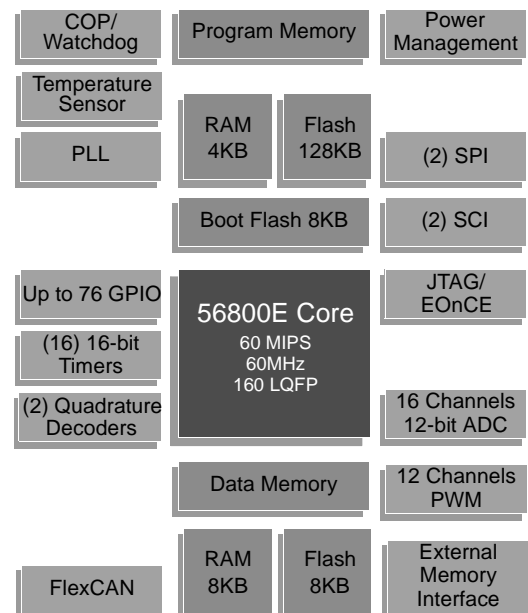
- Hybrid architecture facilitates implementation of both control and signal processing functions in a single device
- High-performance, secured Flash memory eliminates the need for external storage devices
- Extended temperature range allows for operation of non-volatile memory in harsh environments
- Flash memory emulation of EEPROM eliminates the need for external non-volatile memory
- 32-bit performance with 16-bit code density
- On-chip voltage regulator and power management reduces overall system cost
- Off-chip memory expansion capabilities allow for glueless interfacing with the additional memory of external devices without sacrificing performance
- This device boots directly from Flash, providing additional application flexibility
- High-performance PWM with programmable fault capability simplifies design and promotes compliance with safety regulations
- PWM and ADC modules are tightly coupled to reduce processing overhead
- Low-voltage interrupts protect the system from brownout or power failure
- Simple in-application Flash memory programming via Enhanced OnCE™ or serial communication

56800E CORE FEATURES

- Up to 60 MIPS at 60MHz execution frequency
- DSP and MCU functionality in a unified, C-efficient architecture
- JTAG/Enhanced On-Chip Emulation (EOnCE) for nonobtrusive, real-time debugging
- Four 36-bit accumulators
- 16- and 32-bit bidirectional barrel shifter
- Parallel instruction set with unique addressing modes
- Hardware DO and REP loops available
- Three internal address buses
- Four internal data buses
- Architectural support for 8-, 16-, and 32-bit single-cycle data fetches
- MCU-style software stack support
- Controller-style addressing modes and instructions
- Single-cycle 16 x 16-bit parallel Multiplier-Accumulator (MAC)
- Proven to deliver more control functionality with a smaller memory footprint than competing architectures

EXAMPLE APPLICATIONS

- Automotive control
- Industrial control/networking
- Advanced motion control
- Home appliances
- General purpose inverters
- Smart relays
- Fire and security systems
- Power management
- Medical monitoring
- Multi-phase inverters



MEMORY FEATURES

- Architecture permits as many as three simultaneous accesses to program and data memory
- On-chip memory includes high-speed volatile and non-volatile components
 - 128KB of Program Flash
 - 4KB of Program RAM
 - 8KB of Data Flash
 - 8KB of Data RAM
 - 8KB of Boot Flash
- All memories operate at 60MHz (zero wait states) over temperature range (-40° to +125°C), with no software tricks or hardware accelerators required
- Flash security feature prevents unauthorized accesses to its content
- Off-chip memory expansion capabilities provide a simple method for interfacing additional external memory and/or peripheral devices
 - Access up to 4MB of external program memory or 32MB of external data memory
 - External accesses supported at up to 60MHz (zero wait states)

AWARD-WINNING DEVELOPMENT ENVIRONMENT

- Processor Expert™ (PE) provides a Rapid Application Design (RAD) tool that combines easy-to-use component-based software application creation with an expert knowledge system.
- The CodeWarrior Integrated Development Environment is a sophisticated tool for code navigation, compiling, and debugging. A complete set of evaluation modules (EVMs) and development system cards will support concurrent engineering. Together, PE, CodeWarrior and EVMs create a complete, scalable tools solution for easy, fast, and efficient development.

56F8347 PERIPHERAL CIRCUIT FEATURES

- Two Pulse Width Modulator (PWM) modules with 12 outputs and seven programmable fault inputs
- Two Serial Peripheral Interfaces (SPI)
- Two Serial Communication Interfaces (SCI) capable of I²C communications under software control
- Sixteen 16-bit Timers with input and output compare capability
- Two four-input Quadrature Decoders
- FlexCAN module, 2.0 A/B compatible
- Temperature Sense Diode to monitor the on-chip temperature
- On-chip 3.3V to 2.6V voltage regulator
- Software-programmable Phase Lock Loop (PLL)
- On-chip Relaxation Oscillator
- 12-bit Analog-to-Digital Converters (ADC) with 16 inputs, self-calibration, and current injection capability
- Up to 76 General Purpose I/O (GPIO) pins
- External reset input pin for hardware reset
- Computer Operating Properly (COP)
- Integrated Power-On Reset and Low-Voltage Interrupt module

ORDERING INFORMATION

| | |
|--------------------------|------------------------|
| PART | MC56F8347 |
| PACKAGE | 160 LQFP |
| ORDER NUMBER | MC56F8347VPY60 |
| TEMPERATURE RANGE | -40° to 105°C |
| ORDER NUMBER | MC56F8347MPY60 |
| TEMPERATURE RANGE | -40° to +125° C |

PRODUCT DOCUMENTATION

| | |
|---|---|
| 56F8300 Peripherals Manual | Detailed peripheral description of the 56F8300 family of devices Order Number: MC56F8300UM |
| 56F8347 / 56F8147 Technical Data Sheet | Electrical and timing specifications, device-specific peripheral information and package and pin descriptions Order Number: MC56F8347 |
| 56F8347 Product Brief | Summary description and block diagram of the core, memory, peripherals and interfaces Order number: MC56F8347PB |
| DSP56800E Reference Manual | Detailed description of the DSP56800E architecture, 16-bit core processor and the instruction set Order Number: DSP56800ERM |